

# ShowLED Hybrid - RGBW Pixel



The RGBW Hybrid pixel is designed for indoor or outdoor video/pixel applications.

It is blindingly bright on stage and suitable for backlighting of projection screens or digital prints. Designed for the biggest setup possible, yet still a very budget friendly solution (low maintenance, storage, installation and transport).

Easy wall or fabric mounting is possible through its versatile clips, and the housing is robust enough to fit aluminum profiles or to be clipped on to steel wires.

Hybrid Pixel is designed to be driven by Video, ARTNET or sACN controllers.

**Model : Hybrid Pixel**

**Part No: SL-HYB-004**

### Electrical:

Supply Voltage	15 Volt
Power per Pixel	1.5 Watt

### Control:

By Video, ARTNET or sACN controllers

### Physical:

LED	4RGB +2W W=4000K
Colour Range	16.7 Million Colours
Viewing Angle	120°
Luminous Flux	81 lm / pixel
Lifetime	100,000 hours
Efficacy	54 lm / watt
Cover lens	Polycarbonate (clear)
Housing	Polycarbonate (clear)
Size	50mm x 50mm x 13mm
Weight	0.1 kg/pixel
Pitch	Custom Pitch - 100mm Minimum
Operating temp.	-20°C to 50°C
Storage temp.	-20°C to 70°C
Environment	IP65

### Accessories:

Custom - Brackets, Clips, Profiles and Cables

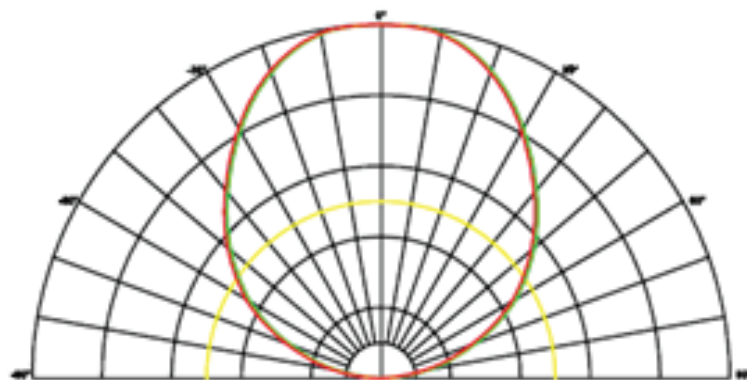
### Certifications:

CE, RoHs

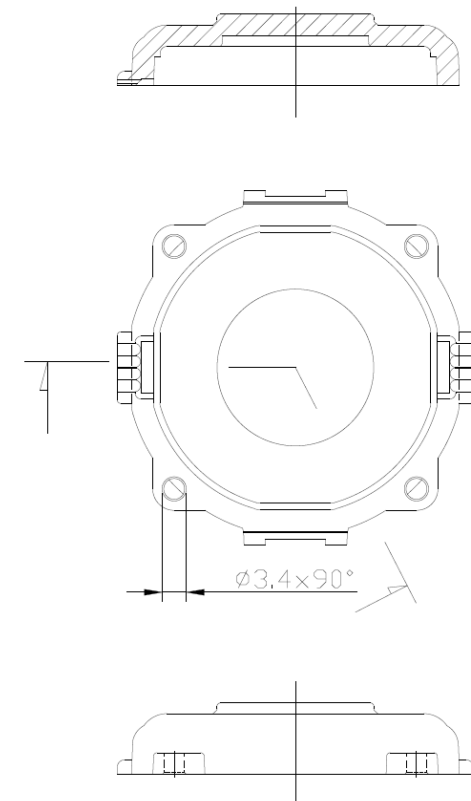
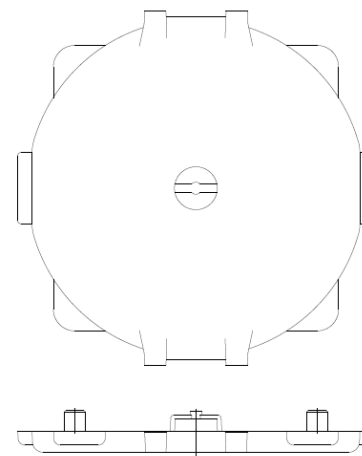
# ShowLED Hybrid - RGBW Pixel

## Photometrical properties

LED	4 RGB + 2W
	W = 4000K
Colour range	16.7 million colours
Viewing angle	120°
Luminous Flux	81.0 lm / pixel
Efficacy	54 lm / watt



HYBRID | 110° FWHM



Length/width of the pixel = 50mm  
Height = 13mm